

## DIN-Power F-shroud for SH D20 1,6

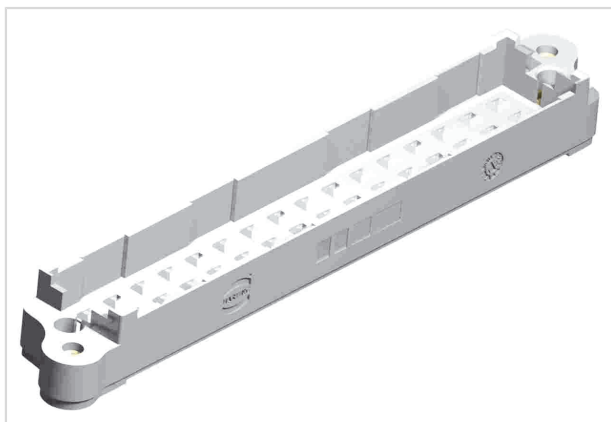


Image is for illustration purposes only. Please refer to product description.

Part number	09 06 002 9922
Specification	DIN-Power F-shroud for SH D20 1,6
HARTING eCatalogue	<a href="https://b2b.harting.com/09060029922">https://b2b.harting.com/09060029922</a>

### Identification

Category	Accessories
Series	DIN 41612
Type of accessory	Pin shroud
Description of the accessory	for type F "low profile" with press-in pins Without locking levers
Features	lead-free

### Version

Termination length	13 mm
Fixing	Screw fixing

### Technical characteristics

Isolation group	IIIa ( $175 \leq CTI < 400$ )
PCB thickness	1.6 mm +0.8

### Material properties

Material (accessories)	Thermoplastic
Colour (accessories)	RAL 7032 (pebble grey)
Material flammability class acc. to UL 94	V-0
RoHS	compliant with exemption
RoHS exemptions	6(c): Copper alloy containing up to 4 % lead by weight
ELV status	compliant with exemption
China RoHS	50



**Pushing Performance**  
Since 1945

## Material properties

REACH Annex XVII substances	Not contained
REACH ANNEX XIV substances	Not contained
REACH SVHC substances	Yes
REACH SVHC substances	Lead
California Proposition 65 substances	Yes
California Proposition 65 substances	Lead Nickel

## Specifications and approvals

Railway classification	F1/I2 acc. to NFF 16-101/102
------------------------	------------------------------

## Commercial data

Packaging size	20
Net weight	7.26 g
Country of origin	Romania
European customs tariff number	85366990
GTIN	5713140010802
eCl@ss	27440292 Connector component (accessories)